

## MSTB 2,5/12-GF-5,08

Order No.: 1776605

The figure shows a 10-position version of the product

<http://eshop.phoenixcontact.de/phoenix/treeViewClick.do?UID=1776605>Header, nominal current: 12 A, rated voltage: 250 V, pitch: 5.08 mm,  
no. of positions: 12, mounting: Soldering

### Commercial data

EAN	4017918038779
Pack	50 Pcs.
Customs tariff	85366990
Weight/Piece	0.00686 KG
Catalog page information	Page 219 (CC-2007)

### Product notes

WEEE/RoHS-compliant since:  
01/01/2003

<http://www.download.phoenixcontact.com>  
Please note that the data given here has been taken from the online catalog. For comprehensive information and data, please refer to the user documentation. The General Terms and Conditions of Use apply to Internet downloads.

### Technical data

#### Dimensions / positions

Pitch	5.08 mm
Dimension a	55.88 mm
Number of positions	12
Pin dimensions	1 x 1 mm
Hole diameter	1.4 mm

**Technical data**

Insulating material group	IIIa
Rated surge voltage (III/3)	4 kV
Rated surge voltage (III/2)	4 kV
Rated surge voltage (II/2)	4 kV
Rated voltage (III/2)	320 V
Rated voltage (II/2)	400 V
Connection in acc. with standard	EN-VDE
Nominal current $I_N$	12 A
Nominal voltage $U_N$	250 V
Maximum load current	12 A
Insulating material	PBT
Inflammability class acc. to UL 94	V0

**Certificates / Approvals**

Approval logo



**CSA**

Nominal voltage $U_N$	300 V
Nominal current $I_N$	10 A

**CUL**

Nominal voltage $U_N$	300 V
Nominal current $I_N$	10 A

**UL**

Nominal voltage $U_N$	300 V
Nominal current $I_N$	10 A
Certification	CB, CSA, CUL, GL, GOST, RS, UL, VDE-PZI

**Accessories**

Item	Designation	Description
<b>Assembly</b>		
1755477	MSTB-BL	Keying cap, for forming sections, plugs onto header pin, green insulating material
<b>Marking</b>		
0804293	SK 5,08/3,8:FORTL.ZAHLEN	Marker card, printed horizontally, self-adhesive, 12 identical decades marked 1-10, 11-20 etc. up to 91-(99)100, sufficient for 120 terminal blocks
<b>Plug/Adapter</b>		
1734401	CR-MSTB	Coding section, inserted into the recess in the header or the inverted plug, red insulating material

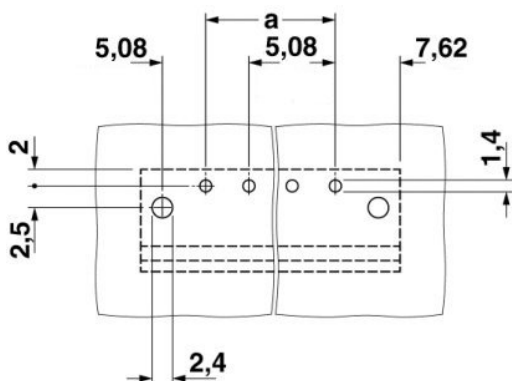
**Additional products**

Item	Designation	Description
<b>General</b>		
1873304	FKC 2,5/12-STF-5,08	Plug with screw flange, nominal current: 12 A, rated voltage: 250 V, pitch: 5.08 mm, no. of positions: 12, type of connection: Spring-cage connection
1902408	FKCT 2,5/12-STF-5,08	Plug component, nominal current: 12 A, rated voltage: 250 V, pitch: 5.08 mm, no. of positions: 12, type of connection: Spring-cage connection
1874206	FKCVR 2,5/12-STF-5,08	Plug component, nominal current: 12 A, rated voltage: 250 V, pitch: 5.08 mm, no. of positions: 12, type of connection: Spring-cage connection
1873906	FKCVW 2,5/12-STF-5,08	Plug component, nominal current: 12 A, rated voltage: 250 V, pitch: 5.08 mm, no. of positions: 12, type of connection: Spring-cage connection
1777895	FRONT-MSTB 2,5/12-STF-5,08	Plug with screw flange, nominal current: 12 A, rated voltage: 250 V, pitch: 5,08 mm, no. of positions: 12, type of connection: Screw connection
1778085	MSTB 2,5/12-STF-5,08	Plug component, nominal current: 12 A, rated voltage: 250 V, pitch: 5.08 mm, no. of positions: 12, type of connection: Screw connection
1809831	MSTBC 2,5/12-STZF-5,08	Plug component, nominal current: 12 A, rated voltage: 320 V, pitch: 5.08 mm, no. of positions: 12, type of connection: Crimp connection
1805398	MSTBT 2,5/12-STF-5,08	Plug with T-shape and screw flange, nominal current: 12 A, rated voltage: 250 V, pitch: 5.08 mm, no. of positions: 12, type of connection: Screw connection

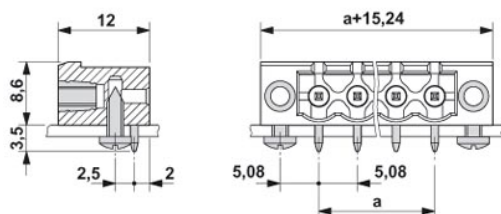
1849189	MSTBVK 2,5/12-STF-5,08	Plug component, nominal current: 12 A, rated voltage: 320 V, pitch: 5.08 mm, no. of positions: 12, type of connection: Screw connection
1835193	MVSTBR 2,5/12-STF-5,08	Plug with screw flange, nominal current: 12 A, rated voltage: 250 V, pitch: 5,08 mm, no. of positions: 12, type of connection: Screw connection
1835009	MVSTBW 2,5/12-STF-5,08	Plug component, nominal current: 12 A, rated voltage: 250 V, pitch: 5.08 mm, no. of positions: 12, type of connection: Screw connection
1918191	QC 0,75/12-STF-5,08	Plug component, 5.08 mm pitch, color: green, no. of positions 12, dimension a 55.88 mm
1883459	QC 1/12-STF-5,08	Plug, nominal current: 10 A, rated voltage: 500 V, pitch: 5.08 mm, number of positions: 12, connection method: Insulation displacement connection QUICKON
1859276	UMSTBVK 2,5/12-STF-5,08	Plug component, nominal current: 12 A, rated voltage: 320 V, pitch: 5.08 mm, no. of positions: 12, type of connection: Screw connection

**Drawings**

Drilling diagram



Dimensioned drawing



**Address**

PHOENIX CONTACT GmbH & Co. KG  
Flachsmarktstr. 8  
32825 Blomberg, Germany  
Phone +49 5235 3 00  
Fax +49 5235 3 41200  
<http://www.phoenixcontact.com>



© 2008 Phoenix Contact  
Technical modifications reserved;